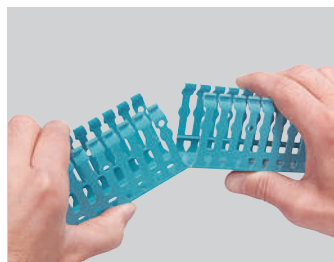
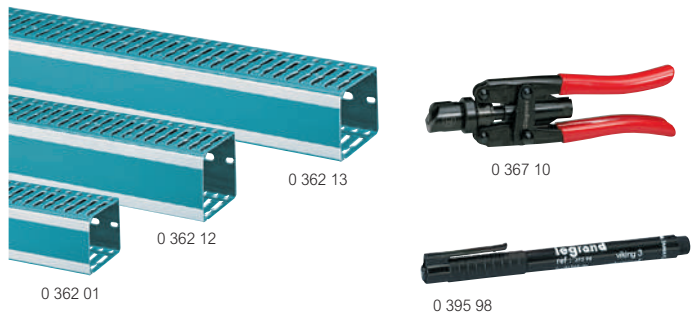


Lina 25™ cable ducting



Manually separable trunking



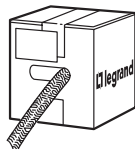
Side wall fingers can be cut using the Lina 25 cutter tool
Cat.No 0 367 10

Technical characteristics p. 349
Approvals p. 919

Pack	Cat.Nos	Lina 25 ducting
		<p>RAL 2525 blue PVC Conform to EN 50085-2-3 6.5 mm wide fingers with a 6 mm spacing Accepts up to 6 mm² without breaking side wall fingers Two pre-scored lines allow removal of fingers Bump on side wall fingers help cabling Rounded fingers prevent injury during cabling Conform to EN 50085 parts 2 and 3 Plastic cable ducting (base + cover) Side perforations at intervals of 12.5 mm Length: 2 m</p>
		Width x height (mm)
60 ¹	0 362 00	25 x 25
56 ¹	0 362 01	25 x 40
56 ¹	0 362 02	25 x 60
40 ¹	0 362 03	25 x 80
56 ¹	0 362 05	40 x 25
48 ¹	0 362 06	40 x 40
48 ¹	0 362 07	40 x 60
40 ¹	0 362 08	40 x 80
32 ¹	0 362 11	60 x 40
32 ¹	0 362 12	60 x 60
32 ¹	0 362 13	60 x 80
24 ¹	0 362 16	80 x 60
24 ¹	0 362 17	80 x 80
16 ¹	0 362 25	120 x 80

Pack	Cat.Nos	Lina 25 cutter tool
1	0 367 10	For a straight break of side wall fingers

Pack	Cat.Nos	Sleeving						
		<p>Braided sleeving Black polyester Supplied in 50 m roll in dispenser box with an indicator 3 m before end</p>						
		<table border="0"> <tr> <td style="text-align: center;">∅ of roll</td> <td style="text-align: center;">∅ variations</td> </tr> <tr> <td style="text-align: center;">20 mm</td> <td style="text-align: center;">10 to 30 mm</td> </tr> <tr> <td style="text-align: center;">30 mm</td> <td style="text-align: center;">18 to 54 mm</td> </tr> </table>	∅ of roll	∅ variations	20 mm	10 to 30 mm	30 mm	18 to 54 mm
∅ of roll	∅ variations							
20 mm	10 to 30 mm							
30 mm	18 to 54 mm							
1	0 366 38	20 mm						
1	0 366 39	30 mm						
		<p>Spiral sleeving Colourless</p>						
25	6 361 78	∅12 mm						
25	6 361 83	∅22 mm						



Pack	Cat.Nos	Black felt-tip pen
10	0 395 98	Black felt-tip pen indelible for marking

1: Number of metres in pack

Linafix isolating fixing accessories

Pack	Cat.Nos	Linafix isolating fixing accessories
20	0 367 00	<p>Material polyamide 6/6 Enable fixing of cable ducting on any support by 1/4 turn On chassis-rail Holds the ducting in place vertically</p>
100	0 366 40	<p>On rails 15 mm depth 1/4 turn</p>
20	0 366 41	<p>On Lina 25 perforated plates Clip-on 1/4 turn</p>
20	0 366 42	<p>On door Fits under control and signalling auxiliaries Osmoz (∅22)</p>
10	0 366 43	<p>On Lina 25 uprights Double adjustment to enable alignment with the perforations at the bottom of cable ducting Can be used to fix vertical or horizontal ducting (possible reinforcement with rail , 15 mm depth) To be clipped on</p>
100	0 366 46	<p>On plain plates plastic rivet length 12 mm for solid plates up to 30 / 10th Drilling ∅: 5.5 to 6 mm</p>
500	0 366 44	<p>On plain plates, Lina 12.5 and perforated plates, Lina 25 for cabinets Reinforced plastic rivet ∅6 mm Drilling ∅: 6.5 mm</p>
100	0 347 45	<p>Screw caps H 4.8 x 16 mm self-drilling, self-tapping for ∅3.3 mm</p>
200	0 347 50	<p>Screw cover, for isolating screws head Cat.No 0 347 45 inside the trunking</p>
50	0 367 01	<p>Cable retainer To clip-on the fingers</p>

